



Improve Your Asset Integrity

Mitigate risk of joint failure with LOCTITE Flange Sealing System

Preventative sealing of flanges with LOCTITE Flange Sealing System increases your asset integrity by addressing the root cause of joint failure, e.g. crevice and bi-metallic corrosion, degradation of gasket and corrosive necking of bolts.

Application areas

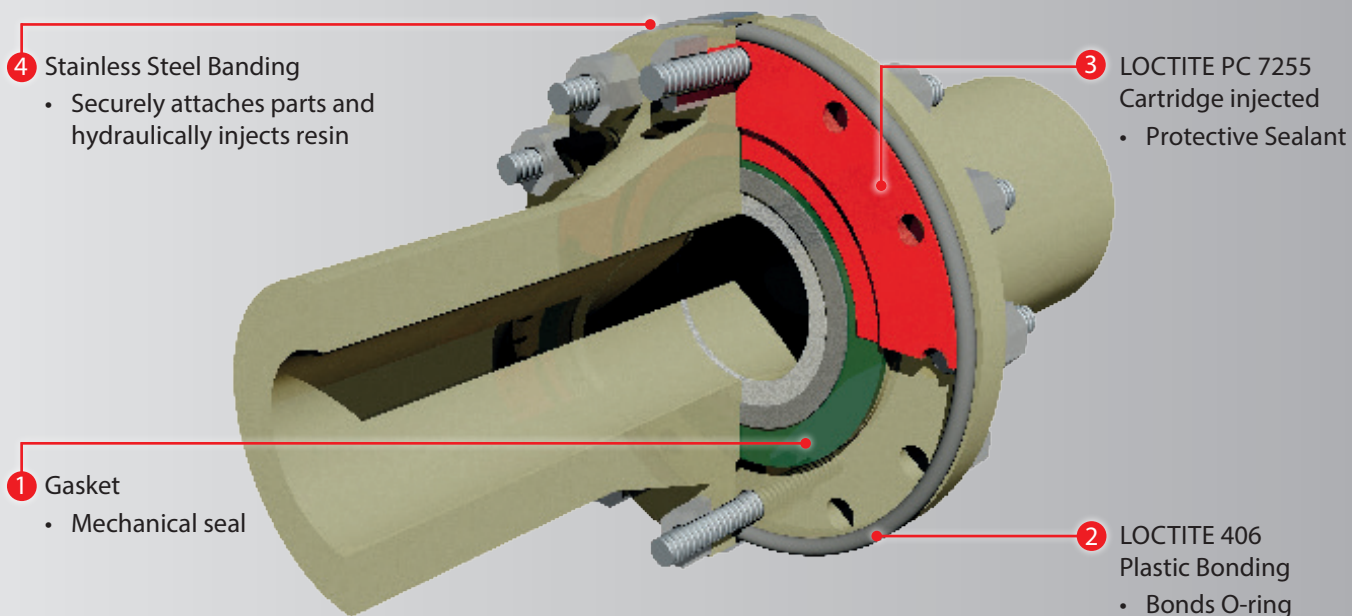
- Maintenance system for new and damaged flanges
- Inside corrosion
- Oil & Gas industry, oil platforms, refineries and petrochemical plants, power plants, water utilities, etc.
- Ideal for low risk systems for long term prevention, e.g. water, diesel, plant air, etc.

Benefits

- Increases pipeline system integrity
- Stops degeneration of flanges
- No need to replace flanges
- Seals joints
- No containment breakage
- In situ cold work repair solution
- Economical, simplistic and workable
20 minutes repair
- Can be applied in live situation

LOCTITE Flange Sealing System

The preventative flange sealing solution with materials for O-ring bonding and flange sealing consists of:



Note: Concept for preventative sealing system has been developed by Simon Hope (Bilfinger Salamis UK)

Case Study

700 flanges sealed in 6 weeks, leakage stopped and operations of plant ensured until the end of asset life in next 3 years. Hydrogen leak test showed zero leakage (leak rate < 1 scf/year, test at 30 bar with Hydrogen).

Customer Situation

- RLPG Plant had potential leaks of R22 in 700 carbon steel flanges (2" up to 24", 10 bar, -56 °C)
 - R22 is no longer available for recharge
 - Planned to remain operational for 3 years
- Solution needs to prevent any leakage and maintain current stock of R22 for plant operation

Benefits

- Savings of several million Euro compared to initial plan to wrap flanges
- Increases pipeline system integrity by creating perfectly sound system (no leakage, complete sealing)
- Stop degeneration of flanges by solving corrosion induced joint failures

Henkel AG & Co. KGaA
Adhesive Technologies
Henkelstraße 67
40589 Düsseldorf
Germany
www.loctite.com

Bilfinger Salamis UK
4 Greenhole Place
Aberdeen
Scotland
AB22 8EU
www.salamis.bilfinger.com



The data contained herein are intended as reference only. Please contact Henkel Technical Support Group for assistance and recommendation on specifications for these products.

Except as otherwise noted, all marks used above in this printed material are trademarks and/or registered trademarks of Henkel and/or its affiliates in the US, Germany, and elsewhere. © Henkel AG & Co. KGaA, 2015